

# CFPMFXH

## *Imaging Table*

- 500 lb Patient Weight Capacity
- Warranty: 3 years parts, 2 years labor
- 37" Fixed Height



Integrated Headrest Top



Rectangular Top



ISO 13485:2003  
FM 584901

made in the USA  
with US & imported parts



OAKWORKS<sup>®</sup>  
**MEDICAL**  
*Position for Success*

# CFPMFXH

#56575-T01 Integrated  
#60009-T01 Rectangular

FEATURES	
Carbon Fiber Top 56" Metal free imaging space	Integrated Headrest 22" (56cm) wide x 84" (214cm) long Rectangular 24" (61cm) wide x 80" (203cm) long
Height	37" (94cm)
Weight Capacity	500 lb (156kg)
Product Weight	343 lb (216kg)
Included Features	1" (3cm) Radiolucent Comfort Foam™ table top pad, 4" (10cm) locking casters, crescent face rest pad (included with integrated headrest top), patient safety straps (2)
Warranty	3 years parts, 2 years labor
Safety Listings	FDA listed, CE marked, cETLus approved, CB Certificate

OPTIONS <i>must be ordered with table.</i>		#
2" (5cm) Table Top Pad Upgrade	upgrade from the standard 1" (3cm) pad	73190-T01
5" (13cm) casters	upgrade from the standard 4" (10cm)	65427

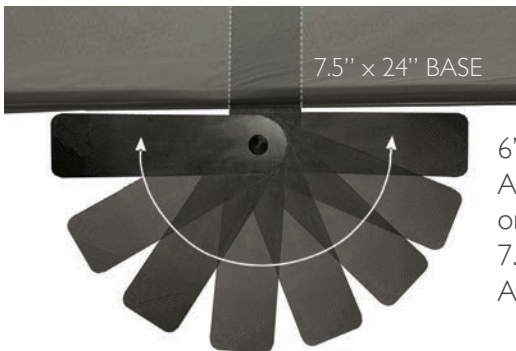
ACCESSORIES <i>order any time.</i>		#
Carbon Fiber Arm Board (6" wide)	180° Articulation	42585
Carbon Fiber Arm Board (7.5" wide)	180° Articulation	70337
Fluoro Extender	Polycarbonate	33975
Spine Positioning System II	8 piece system	70100-T01
Interventional Supine Pillow System	contoured pad and support wedge pad	69808-T01

## SINGLE CARBON FIBER ARM BOARD

#42585-T01 - 6" wide #70337-T01 - 7.5" wide

Fully radiolucent with a 180° range of motion, the arm board requires no mounting or attachment hardware and simply slides under the table top pad. It can be used on any fluoroscopy table and will support arms and feet in a variety of positioning configurations. Folds for storage.

- 180° range of motion
- Requires no mounting or attachment hardware, slides under table top pad
- Comes with removable pad
- Folds for safe and compact storage



6" x 23"  
ARM BOARD  
or  
7.5" x 24"  
ARM BOARD

## SPINE POSITIONING SYSTEM II #70100-T01

- **Optimal Imaging**  
High radiolucency and flexibility for ideal cervical, thoracic and lumbar visualization.
- **Enhanced Patient Comfort**  
Minimize unwanted movement and reduce procedure time.
- **Stable Design**  
Large contoured torso pad cradles patient & the strap securely fastens the system to the table.



## 6" ADJUSTABLE T-RAIL CLAMP #63336

The adjustable T-Rail clamp can be positioned along the grooved table top edge. Clamp is also removable.

- Accommodates a variety of T-rail attachable accessories
- 150 lb (68kg) weight rating



CONTACT:

View our full line of  
**Medical products**



Scan this code with  
your smart phone

#72703



717.235.6807 [www.oakworksmed.com](http://www.oakworksmed.com) email: [customerservice@oakworks.com](mailto:customerservice@oakworks.com)